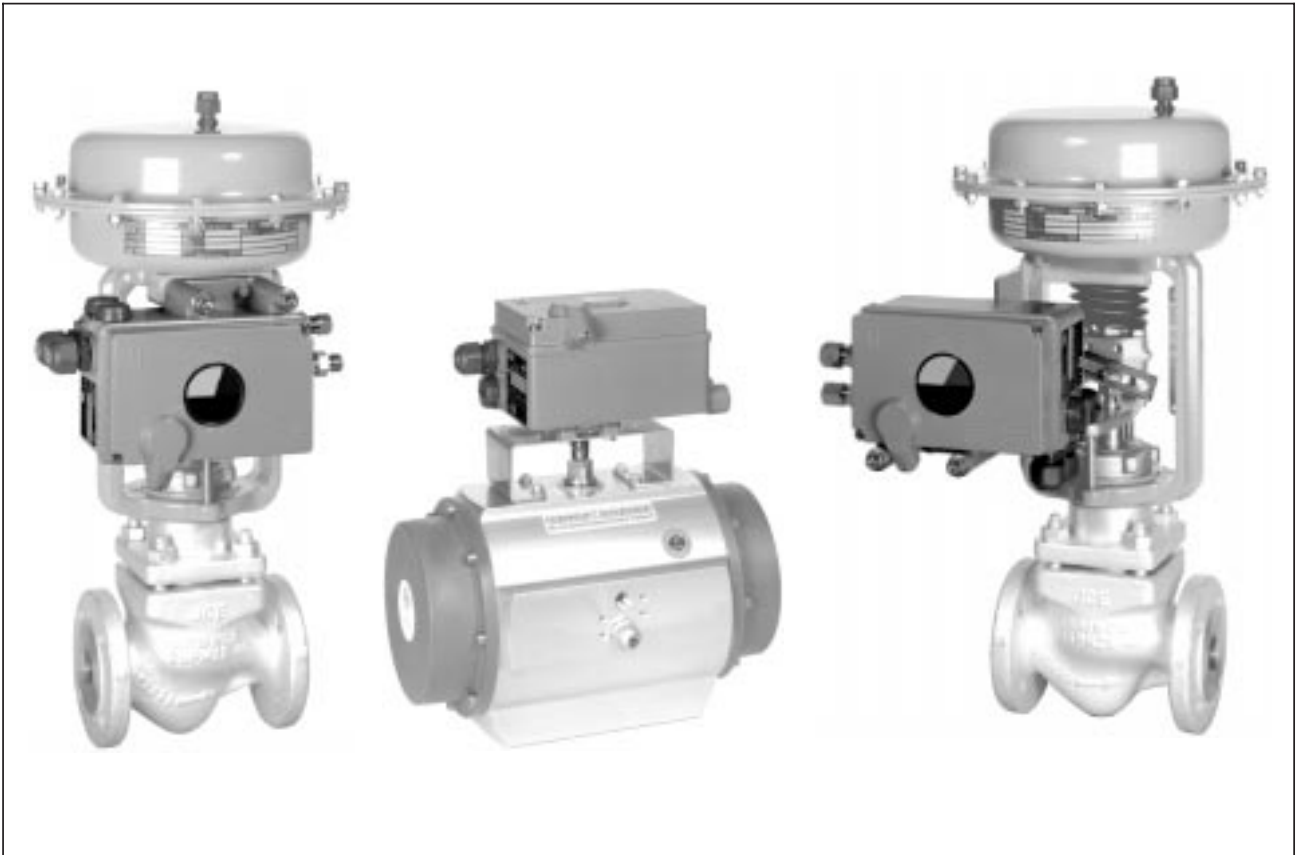
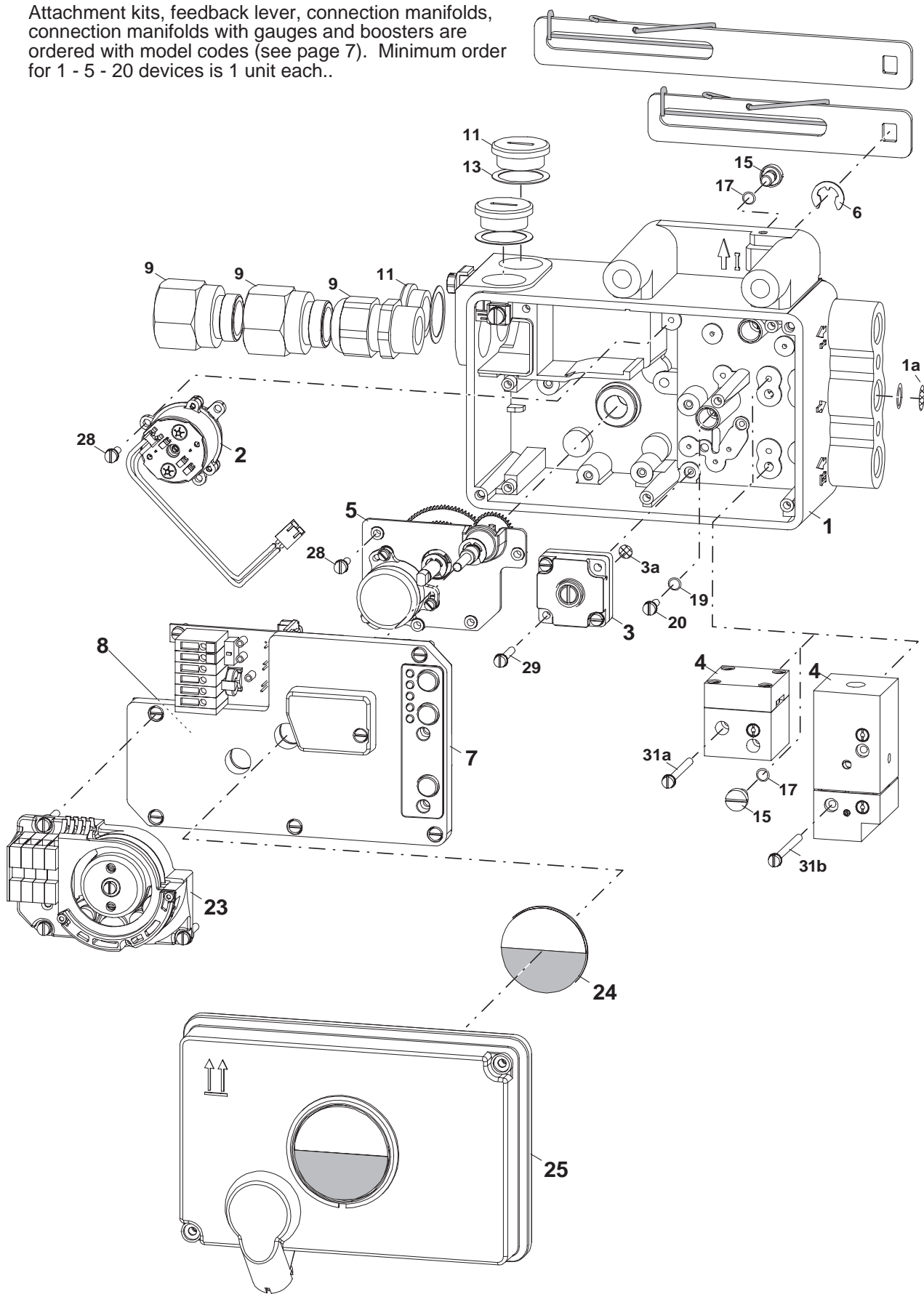


SRD991 Intelligent Positioner
SRD992 Digital Positioner



Attachment kits, feedback lever, connection manifolds, connection manifolds with gauges and boosters are ordered with model codes (see page 7). Minimum order for 1 - 5 - 20 devices is 1 unit each..



Item	Part No.	Qty.	Part Name	Number of Parts Recommended for		
				1 Instr.	5 Instr.	20 Instr.
1	GHX 424 071 012	1	Housing	1	1	1
1a	FJX 515 544 018	1	filtering screen	1	5	20
2	EBX 423 743 013	1	IP Module *	1	1	1
28	SRY 507 882 731	2	cylinder screw DIN84-M3x10-A2-70			
3	VKP 423 936 021	1	Pneumatic preamplifier	1	1	1
3a	FJX 526 605 023	1	filtering screen Ø 4.7 mm	1	1	3
29	SRY 507 882 927	2	cylinder screw DIN84-M3x18-A2-70			
4		1	Pneumatic Amplifier	1	1	1
	VKX 423 972 015		single acting, 6 bar			
	VKX 424 192 031		double acting, 6 bar			
31a	SRY 507 882 174	2	cylinder screw DIN84-M3x28-A2-70 for 'single acting'			
31b	SRY 507 882 485	2	cylinder screw DIN84-M3x35-A2-70 for 'double acting'			
5	GTX 424 110 011	1	Gear with angle sensor *	1	1	1
28	SRY 507 882 731	3	cylinder screw DIN84-M3x10-A2-70			
6	RJS 505 529 238	1	safety washer DIN 6799-7 for item 5	1	1	1
7		1	Main board SRD991*	1	1	1
	EBE 424 954 013		HART without options			
	EBE 424 954 022		HART with options			
	EBE 424 954 031		HART with options + sensors for x and y1			
	EBE 424 955 019		FOXCOC without options			
	EBE 424 955 028		FOXCOC with options			
	EBE 424 955 037		FOXCOC with options + sensors for x and y1			
7		1	Main board SRD992*	1	1	1
	EBE 424 956 014		without options			
	EBE 424 956 023		with options			
8		1	Optional boards	1	1	1
	LPMS 423 793 022		position feedback			
	LPMS 423 794 017		two binary outputs			
	LPMS 423 794 026		binary inputs			
9		1/2	cable gland	1	1	3
	BUSG 414 204 042		Pg 13.5 Ex			
	BUX 533 140 011		1/2-14 NPT			
	BUX 533 140 029		M20x1.5			
11	SRU 507 683 011	3/2	lock screw Pg 13.5 DIN 46265	1	1	1
13	DJX 529 110 013	3/2	gasket for lock screw item 11	1	1	1
15	SRX 525 459 022	1	lock screw M5x8	1	1	1
			1 x to lock back side output y1,			
			1 x for single acting positioner			
17	DJR 502 124 137	1	gasket O ring 5x1.5 DIN 3771-1 for item 15	1	1	2
20	SRY 507 882 731	2	lock screw (non-equipped P sensors)	1	1	1
19	DJX 534 437 013	2	seal for item 20	1	1	1

* Replacement of one of these groups requires new calibration (see master instructions manual). We recommend the tool 'angle calibrator' see page 4.

Item	Part No.	Qty.	Part Name	Number of Parts Recommended for		
				1 Instr.	5 Instr.	20 Instr.
23		1	Built-in Limit Switch	1	1	1
	VRE 424 628 011		inductive limit indicator (regular version)			
	VRE 424 628 029		inductive limit indicator (safety version)			
24		1	Travel Indicator	1	1	1
	ZEK 424 172 014		Travel indicator (for device without built-in limit switch item 23)			
	ZEK 424 172 023		Travel indicator extended (for device with built-in limit switches item 23)			
25		1	Cover with window	1	1	1
	DEX 424 069 012		flat, for device without built-in limit switches item 23			
	DEX 424 069 021		flat, for device without built-in limit switches item 23, for NEMA4			
	DEX 425 196 018		high, for device with built-in limit switches item 23			
	DEX 425 196 027		high, for device with built-in limit switches item 23, for NEMA4			
	not illustrated:					
26	SBZ 555 563 526	1	washer DIN6798-A3,2-1.4310 for M3 screws			
			Tool			
	WZX 425 014 011	1	Angle calibrator	1	1	1

MODEL CODES SRD991

Intelligent Positioner	SRD991									
Version										
Single acting		-B								
Double acting		-C								
Input/Communication										
HART communication (4 - 20 mA) (a)			H							
FOXCOM communication (4 - 20 mA IT1) (a)			E							
FOXCOM communication (digital / IT2)			F							
Additional Inputs/Outputs										
without				M						
Two binary outputs (a)				P						
Position feedback 4 - 20 mA (a)				Q						
Binary inputs (a)				B						
Built-in limit switch										
without					S					
Inductive limit switch explosion protection EEx ia IIC T6 (a) (standard version)					T					
Inductive limit switch explosion protection EEx ia IIC T6 (a) (security version)					U					
Cable Entry										
Pg 13.5 without cable gland (a)									1	
1 pc. Pg 13.5 with plastic cable gland									2	
1 pc. 1/2" - 14 NPT (with adapter PG 13.5 to 1/2")									6	
1 pc. M 20 x 1.5 (with adapter PG 13.5 to M20)									7	
Electrical certification										
without									ZZZ	
EEx ia IIC T4									EA4	
Non-incendive for Class I, Division 2, Groups A, B, C, D, hazardous locations indoors and outdoors, NEMA 4									NFM	
FM approved for intrinsic safety Class I, Division 1, Groups A, B, C, D, hazardous locations indoors and outdoors, NEMA 4									FAA	
CSA approved for intrinsic safety Class I, Division 1, Groups A, B, C, D, hazardous locations indoors and outdoors									CAA	
RUSSIAN intrinsically safe									GAA	
Attachment kit										
order as auxiliary (see page 7)										N
Manifold and Booster relay										
order as auxiliary (see page 7)										A
Optional features										
Two built-in pressure sensors for supply air and output to actuator y1 (only with Inputs / Outputs Code B) (a)										-B
Custom Configuration										-T
Tag.No. Labeling										
Stamped with weather resistant color										-G
Stainless steel label fixed with wire										-L

Example: SRD991 -B H M S 2 ZZZ N A -L

(a) Only with Electrical classification ZZZ & EA4, others pending

MODEL CODES SRD992

Digital Positioner	SRD992							
Version								
Single acting		-B						
Double acting		-C						
Input								
4 - 20 mA (a)			I					
Additional Inputs/Outputs								
without				M				
Two binary outputs (a)				P				
Position feedback 4 - 20 mA (a)				Q				
Binary inputs (a)				B				
Built-in limit switch								
without					S			
Inductive limit switch explosion protection EEx ia IIC T4 (a) (standard version)					T			
Inductive limit switch explosion protection EEx ia IIC T4 (a) (security version)					U			
Cable Entry								
Pg 13.5 without cable gland (a)						1		
Electrical certification								
without							ZZZ	
EEx ia IIC T4							EA4	
FM non-incendive for Class I, Division 2, Groups A, B, C, D, hazardous locations indoors and outdoors, NEMA 4							NFM	
FM approved for intrinsic safety Class I, Division 1, Groups A, B, C, D, hazardous locations indoors and outdoors, NEMA 4							FAA	
CSA approved for intrinsic safety Class I, Division 1, Groups A, B, C, D, hazardous locations indoors and outdoors							CAA	
RUSSIAN intrinsically safe							GAA	
Optional features								
Tag.No. Labeling								
Stamped with weather resistant color								-G
Stainless steel label fixed with wire								-L

Example: SRD992 -B I M S 1 ZZZ -L

(a) only with Electrical classification ZZZ & EA4, others pending

Parts for digital and intelligent Positioner	
Tube fittings in a bag VG	
external thread / material: Galv. Steel	
1/4-NPT for pipe 6x1 mm (2 pcs.)	-52
1/4-NPT for pipe 6x1 mm (3 pcs.)	-53
Cable gland BUSG	
PG 13.5 plastics, color gray	-K1
PG 13.5 plastics, color blue	-K2
PG 13.5 plastics, color black	-K3
PG 13.5 plastics, color white	-K4
PG 13.5 stainless steel	-S1
Adapter AD	
Adapter PG 13.5 to 1/2" - 14 NPT (internal thread)	-A1
Adapter PG 13.5 to M20 x 1.5 (internal thread)	-A2

MODEL CODES Accessories

Parts for Intelligent Positioner	
Attachment kit	EBZG
for diaphragm actuators with casting yoke acc. NAMUR (incl. standard couple lever)	-H
for diaphragm actuators with pillar yoke acc. NAMUR (incl. standard couple lever)	-K
for directly mounting (incl. standard couple lever)	-D
for mounting to rotary actuators acc. VDI/VDE 3845 (without bracket)	-R
for FoxTop / FoxPak	-E
Couple lever	
standard (stroke max. 80 mm)	-A
extended (stroke max. 120 mm)	-B
Manifold	LEXG
with connection G 1/4	-K
Gauges manifold (connection 1/4 - 18 NPT)	
without gauges	-N
with gauges for version single acting	-J
with gauges for version double acting	-M
Booster relay	
with connection 1/4 -18 NPT for version single acting	-F
with connection 1/4 -18 NPT for version double acting	-G
with connection 1/2 -18 NPT for version single acting with doubled output capacity	-H
Pressure switch	
Pressure switch for bellows seal or stuffing box monitoring (only with Inputs / Outputs Code B) (only with Electrical classification ZZZ & EA4, others pending)	-D

Subject to alterations - reprinting, copying and translation prohibited. Products and publications are normally quoted here without reference to existing patents, registered utility models or trademarks. The lack of any such reference does not justify the assumption that a product or symbol is free.

FOXBORO ECKARDT GmbH
Postfach 50 03 47
D-70333 Stuttgart
Tel. # 49(0)711 502-0
Fax # 49(0)711 502-597

DOKT 534 025 025

